

YS 1070 T



YS 1070 T

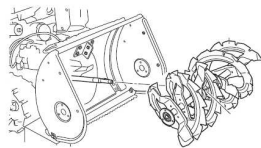
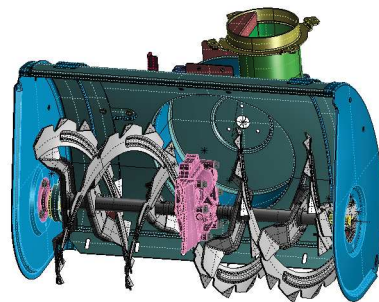
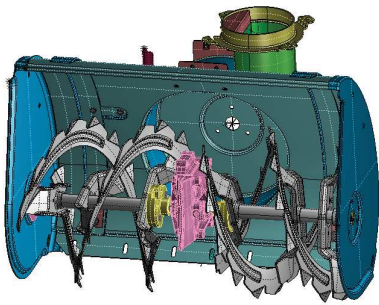


YS 1070 T



- ❑ New shear bolts guard mechanism
- ❑ 2x 10mm spanners in toolkit

New & improved!



YS 1070 T



- ❑ New Art Code : (TBA March '22)
- ❑ Clearing width 715 mm
- ❑ Housing height 510 mm
- ❑ Snow clearing capacity 60 tons/hr
- ❑ Maximum snow throwing distance 17 m

YS 1070 T USP's

- ❑ Manufactured in Japan
- ❑ Emissions: EU Stage V compliant
- ❑ Silent body design
- ❑ Automatic Choke
- ❑ Electronic Easy turn system
- ❑ Serrated snow jaw scraper.
- ❑ Auger shock protector system
- ❑ NEW: Shear bolts installed outside auger house
- ❑ Assisted Augertilt sytem
- ❑ "No stick"Plastic liner
- ❑ Track Drive
- ❑ One hand Chute operation
- ❑ Easy Drain summer storage fuel petcock



season '21/'22 model shown



YS 1070 T



YS1070T SNOWTHROWER SPEC.	
Engine	
Capacity	
Drive system	

YS1070T SNOWTHROWER SPEC.	
Auger system	
Chute control	
Dimensions	



YS 1070 T



- ❑ Model: MZ300
- ❑ Engine type: Single cylinder, 4-stroke, air-cooled, OHV
- ❑ Displacement: 296cc
- ❑ Power Max: 6,9 kw (9,4 ps)
- ❑ Power @ Rated speed: 5,8 kw (7,9 ps)
- ❑ Starter system: Electric start with on board 12V DC battery
- ❑ Ignition system: TCI
- ❑ Choke: Automatic – wax system
- ❑ Recommended fuel: Unleaded Regular Gasoline



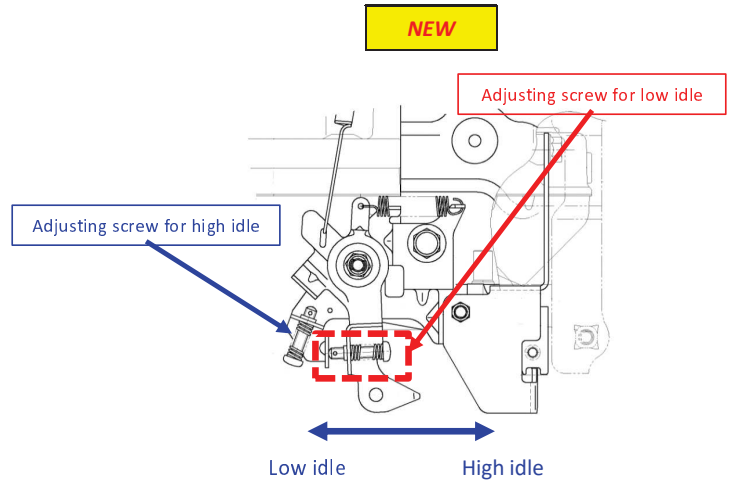
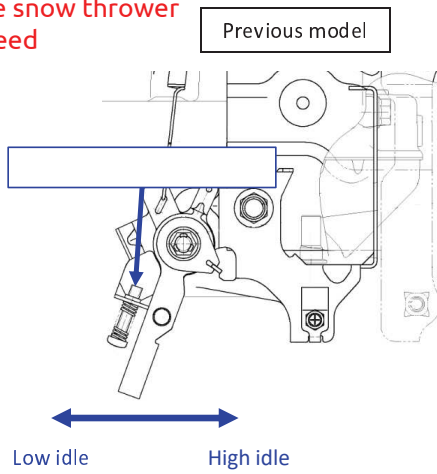
YS 1070 T



- ❑ Improved cold start
- ❑ Smoother engine running
- ❑ Faster ready to work

- Previous model
- After cold start warm engine up gradually
- It takes 5 minutes for warming up the engine to use the snow thrower at the low engine speed

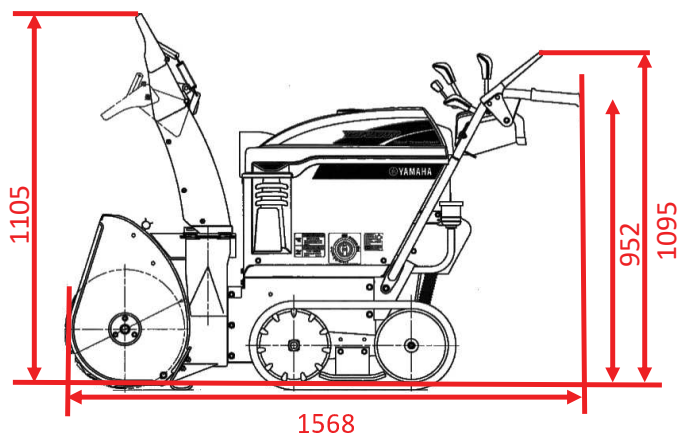
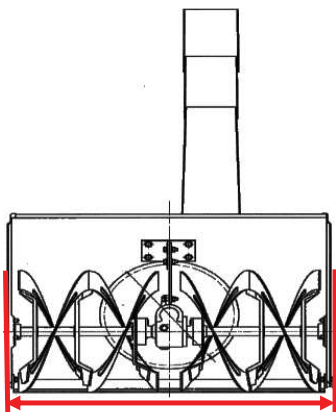
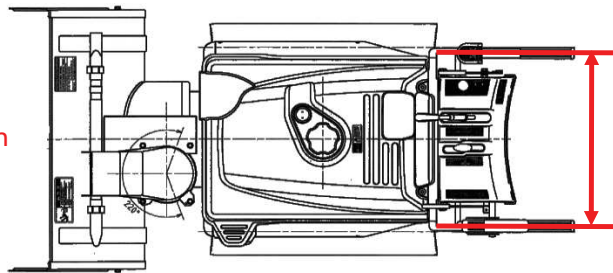
- New situation with Low Idle Governor
- After cold start Low Idle Governor keeps engine at right rpm
- It takes just 90 seconds for warming up an engine to use the snow thrower at the low engine speed



YS 1070 T



- Fuel tank capacity 6,7 liters
- Engine oil capacity 1.0 liters
- Wet weight 212 kg
- Length x width x height 1,568 x 745 x 1,105 mm



YS 1070 T



- ❑ Clearing width: 715 mm
- ❑ Housing height: 510 mm
- ❑ Snow clearing capacity: 60 tons/hr
- ❑ Maximum snow throwing distance: 17 m

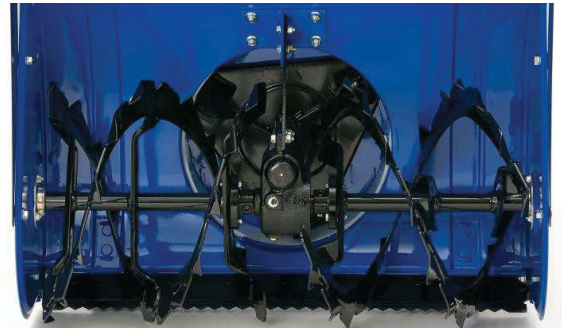


season '21/'22 model shown

YT 1070



- ❑ Auger type: Dual stage with shock protector
- ❑ Diameter: 350 mm
- ❑ Drive: Belt clutch
- ❑ Dual stage System
 - Heavy Duty steel 72 cm wide auger
 - High speed impeller with plastic liner
- ❑ Shock protector minimizes Auger & machine damage in case of hitting hard object
- ❑ Serrated snow jaw scraper breaks up ice & hard pack snow
- ❑ Adjustable Auger housing skis to adjust snow jaw scraper height



season '21/'22 model shown



AUGER SYSTEM

YS 1070T



- ❑ Non-freeze plastic panel cover
- ❑ Ergonomic improved
 - Easier to operate
 - High visibility icons
 - More logic lay out of handles



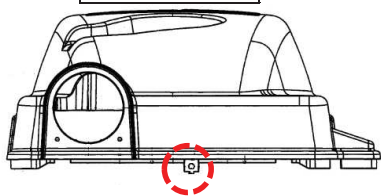
Fuel tank cover.

- Better snow removal around fuel tank
- Fixation by 3 bolts

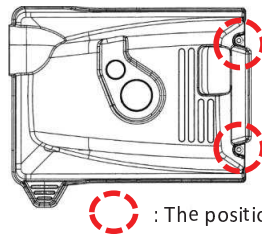
- Enlarged for enhanced grip
- One piece with integrated rubber seal




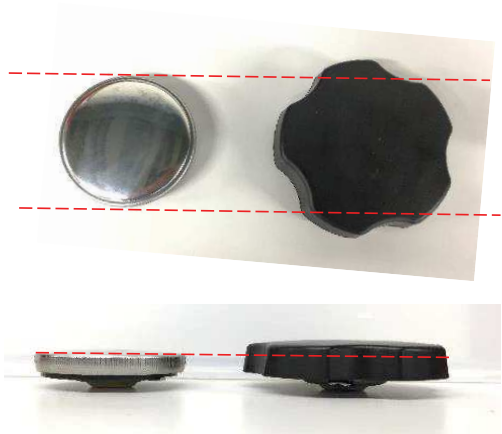
Front view



Top view



 : The position of bolts



YS 1070 T



- ❑ LED working light
- ❑ LED light means long life
- ❑ For bad weather, yellow is better visibility for operator and people around snow thrower.



YS 1070 T



Free Tilt Auger System

- ❑ One hand lever
- ❑ Assisted Auger tilt system
- ❑ Minimum force required for adjusting auger height



YS 1070 T



- ❑ Rotation: Electric
- ❑ Deflection: Manual, two-step (remote lever)
- ❑ Turning radius: 220 °
- ❑ Chute material: Steel with inside plastic liner
- ❑ Plastic liner prevents snow sticking
- ❑ Mechanical Chute Up & Down movement
- ❑ Electrical Chute rotation
 - Snow throwing adjustment on the fly
 - Dump the snow where you want it
 - Fast chute rotation when changing snow clearing direction

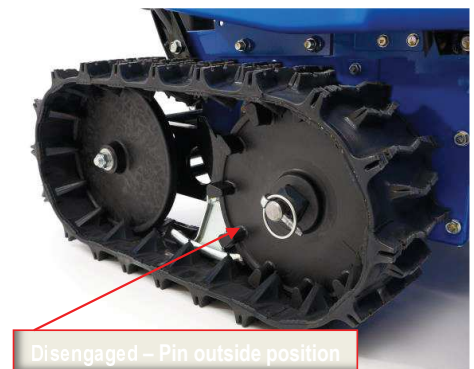


CHUTE CONTROL

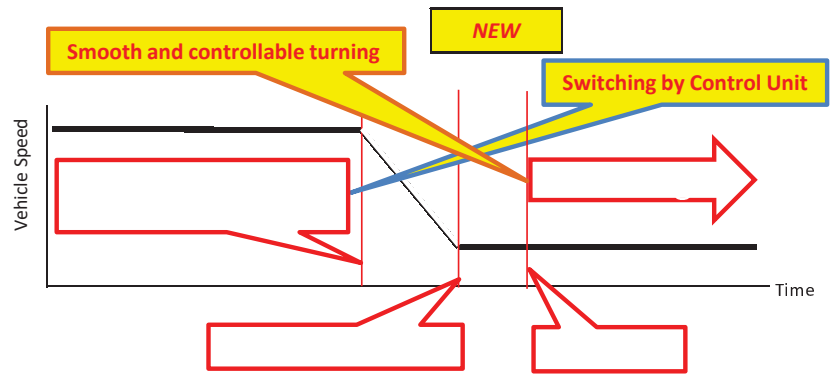
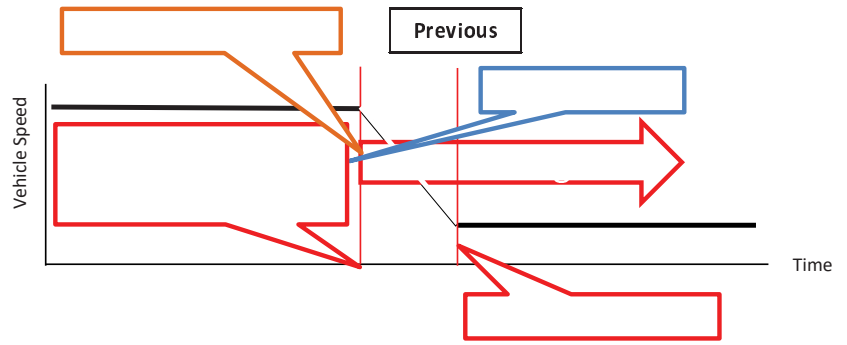
YS 1070 T



- ❑ Axle Rubber track
- ❑ Transmission system Hydrostatic
- ❑ Speeds Infinitely variable
- ❑ Ground speed forward 0 – 2,8 km/h
- ❑ Ground speed reverse 0 – 1,8 km/h
- ❑ No slipping, no sliding - just great control. The rubber tracks are pliable, with large cleats for added grip when maneuvering in difficult conditions. They provide good traction, even on steep driveways - and you can even expect this machine to climb steps when necessary. The system works in perfect harmony with the Hydrostatic Transmission.
- ❑ Free run wheel pin system to disengage track from transmission. Easy to move machine without engine running



YS 1070 T



YS 1070 T



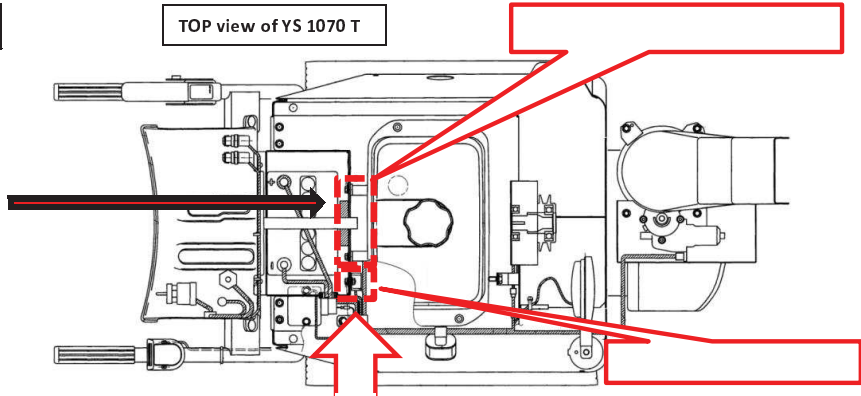
Control Unit Location

The ECU is located at the same place as previous turn relays

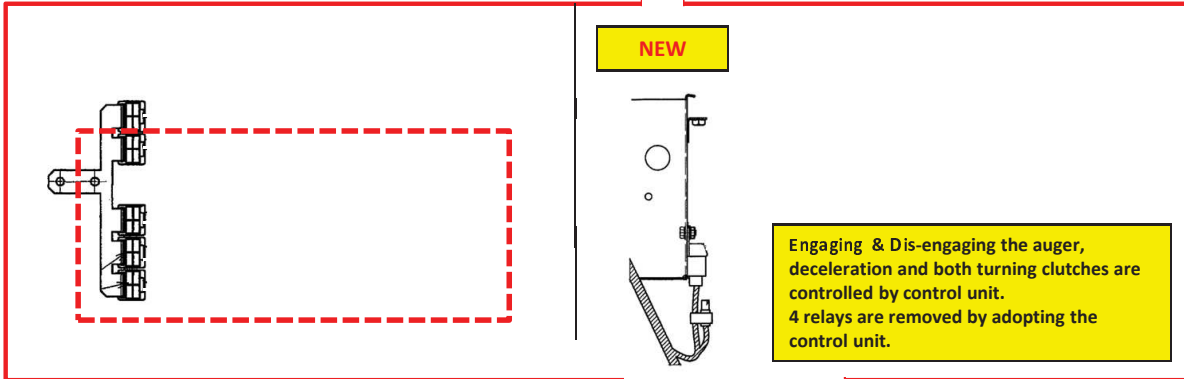
Control unit



TOP view of YS 1070 T



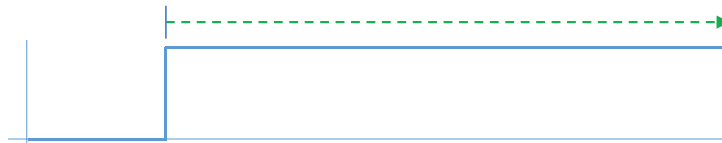
View from right side



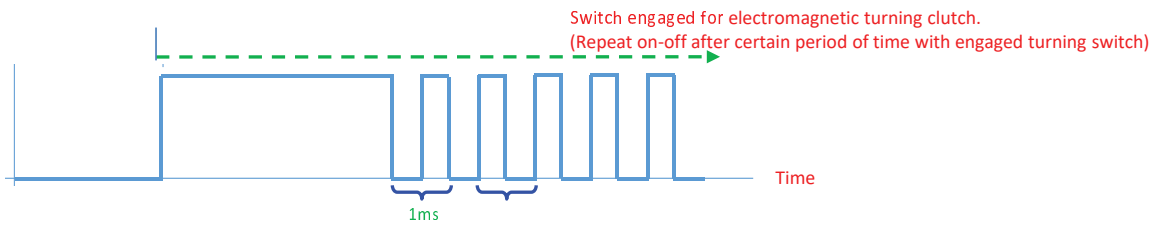
Control Unit Battery saving mode



Previous Situation with relay driven electromagnetic clutch



NEW Situation with Control Unit controlled electromagnetic clutch



YS 1070 T



- ❑ Easy access to check essential fluids
- ❑ Fuel tap with drain functions
 - Summer storage features
 - Fuel hose drain
 - Carburetor bowl drain
 - Prevents gum in fuel system



MAINTENANCE

YS 1070 T



- ❑ Auger housing extension
- ❑ Snow cleaning tool for chute & impeller
- ❑ Chute outlet protection
- ❑ Exhaust heat protection
- ❑ Higher handlebar to match average European human length
- ❑ CE declaration of conformity
- ❑ EU Emission; stage V compliant

