

YT 1070



season '21/'22 model shown

YT 1070

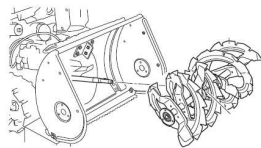
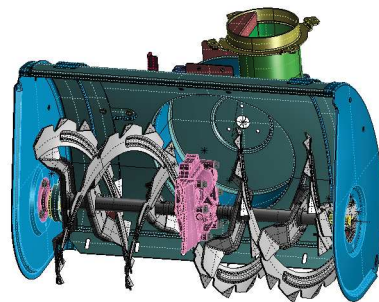
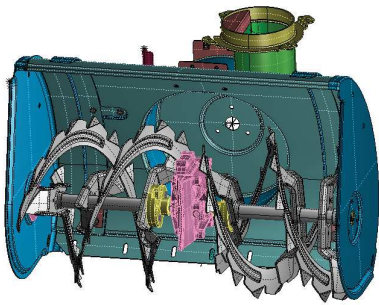


YT 1070



- ❑ New shear bolts guard mechanism
- ❑ 2x 10mm spanners in toolkit

New & improved!

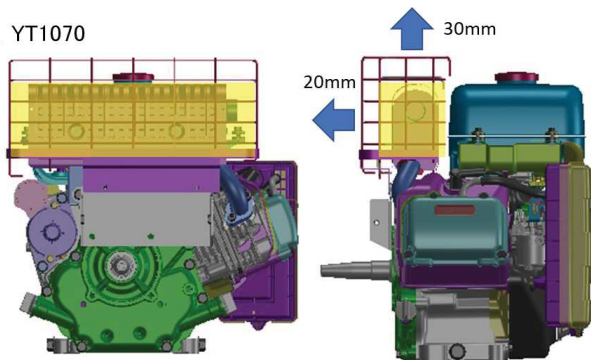


YT 1070



- ❑ Muffler cover is made 20mm wider and 30mm higher
- ❑ Due to ISO update
- ❑ Improved heat protection (for better safety)

New & improved!



YT 1070



- ❑ New Art Code : (TBA March '22)
- ❑ Clearing width 715 mm
- ❑ Housing height 510 mm
- ❑ Snow clearing capacity 60 tons/hr
- ❑ Maximum snow throwing distance 17 m

YT 1070 USP's

- ❑ Manufactured in Japan
- ❑ Emissions: EU Stage V compliant
- ❑ Serrated snow jaw scraper
- ❑ Auger shock protector system
- ❑ NEW: Shear bolts installed outside auger house
- ❑ Assisted Augertilt sytem
- ❑ "No stick" Plastic liner
- ❑ Track Drive
- ❑ One hand Chute operation
- ❑ Easy Drain summer storage fuel petcock



season '21/'22 model shown



YT 1070



- ❑ Model: MZ300
- ❑ Engine type: Single cylinder, 4-stroke, air-cooled, OHV
- ❑ Displacement: 296cc
- ❑ Power Max: 6,9 kw (9,4 ps)
- ❑ Power @ Rated speed: 5,8 kw (7,9 ps)
- ❑ Starter system: Electric 12VDC battery type & Recoil
- ❑ Ignition system: TCI
- ❑ Recommended fuel: Unleaded Regular Gasoline

- ❑ Battery based Electric start
- ❑ On Board 12v Battery
- ❑ Recoil back-up starter



Cell starter
Simply turn the key to start the engine easily.



YT 1070



- ❑ Fuel tank capacity 5.8 liters
- ❑ Engine oil capacity 1.0 liters
- ❑ Wet weight 171 kg
- ❑ Length x width x height 1,506 x 745 x 1,105 mm



YT 1070



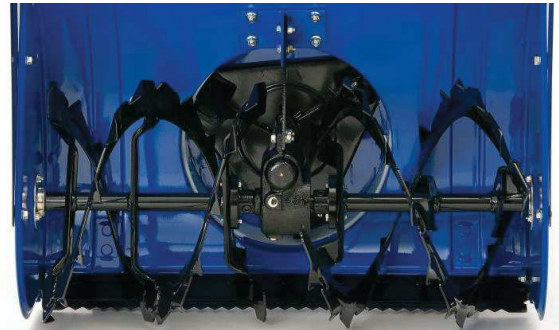
- ❑ Clearing width: 715 mm
- ❑ Housing height: 510 mm
- ❑ Snow clearing capacity: 60 tons/hr
- ❑ Maximum snow throwing distance: 17 m



YT 1070



- ❑ Auger type: Dual stage with shock protector
- ❑ Diameter: 350 mm
- ❑ Drive: Belt clutch
- ❑ Dual stage System
 - Heavy Duty steel 72 cm wide auger
 - High speed impeller with plastic liner
- ❑ Shock protector minimizes Auger & machine damage in case of hitting hard object
- ❑ Serrated snow jaw scraper breaks up ice & hard pack snow
- ❑ Adjustable Auger housing skis to adjust snow jaw scraper height



Season '21/'22 model shown



AUGER SYSTEM

YT 1070



- ❑ Non-freeze plastic panel cover
- ❑ Ergonomic improved
 - Easier to operate
 - High visibility icons
 - More logic lay out of handles



dead-man clutch

mechanism

If you release your hand from the travel clutch lever, the rotation of the auger and the travel of the snow blower will stop automatically.



Free Tilt Auger System

- ❑ One hand lever
- ❑ Assisted Auger tilt system
- ❑ Minimum force required for adjusting auger height



Free lock tilt mechanism
You can adjust the height of the auger simply by operating the lever. It can be adjusted even during snow removal.

YT 1070



- ❑ Rotation: Electric
- ❑ Deflection: Manual, two-step (remote lever)
- ❑ Turning radius: 220 °
- ❑ Chute material: Steel with inside plastic liner
- ❑ Plastic liner prevents snow sticking
- ❑ Mechanical Chute Up & Down movement
- ❑ Electrical Chute rotation
 - Snow throwing adjustment on the fly
 - Dump the snow where you want it
 - Fast chute rotation when changing snow clearing direction

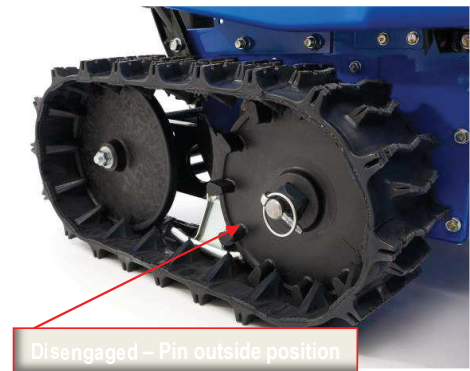


CHUTE CONTROL

YT 1070



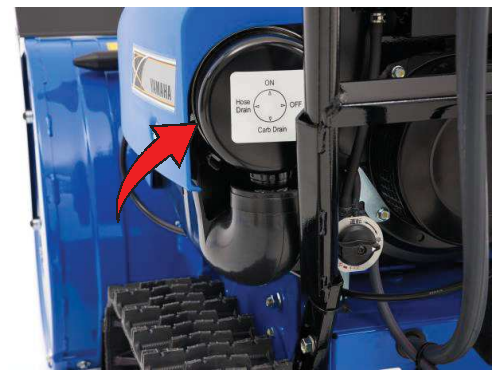
- ❑ Axle Rubber track
- ❑ Transmission system Hydrostatic
- ❑ Speeds Infinitely variable
- ❑ Ground speed forward 0 - 3.2 km/h
- ❑ Ground speed reverse 0 - 2.4 km/h
- ❑ No slipping, no sliding - just great control. The rubber tracks are pliable, with large cleats for added grip when maneuvering in difficult conditions. They provide good traction, even on steep driveways - and you can even expect this machine to climb steps when necessary. The system works in perfect harmony with the Hydrostatic Transmission
- ❑ Free run wheel pin system to disengage track from transmission. Easy to move machine without engine running



YT 1070



- ❑ Easy access to check essential fluids
- ❑ Fuel tap with drain functions
 - Summer storage features
 - Fuel hose drain
 - Carburetor bowl drain
 - Prevents gum in fuel system



Fuel cock
Just turn the cock to remove the fuel from the carburetor. The large fuel strainer cup also reduces the number of drains.



MAINTENANCE

YT 1070



- ❑ Auger housing extension
- ❑ Snow cleaning tool for chute & impeller
- ❑ Chute outlet protection
- ❑ Exhaust heat protection
- ❑ Higher handlebar to match average European human length
- ❑ CE declaration of conformity
- ❑ EU Emission; stage V compliant

